

BODYCRAFT

**Built For Commercial Use Or
The Discriminating Home Owner**

X4



X4

STATION 1

ADJUSTABLE FUNCTIONAL TRAINING / CABLE ARMS HIGH PULLEY

STATION 2

ADJUSTABLE DUAL CABLE COLUMN

STATION 3

ROW / PRESS ARM SELF ALIGNING LEG EXTENSION MID PULLEY

STATION 4

LEG PRESS WITH UP TO 400LBS RESISTANCE

ALL STATIONS HAVE A 200LB WEIGHT STACK INDEPENDENT OF THE OTHER STATIONS

SPECIFICATIONS

FRAME: 2" X 3", AND 2" X 2", HEAVY GAUGE STEEL TUBING.

FINISH: PLATINUM GRAY MULTI-STAGE ELECTROSTATIC POWDERCOAT PAINT.

PULLEYS: 4-1/2" DIAMETER, FIBERGLASS REINFORCED NYLON AND ROTATE ON SEALED BALL BEARING HUB.

CABLES: INTERNALLY LUBRICATED, 7 X 19 STRAND CONSTRUCTION, RATED AT 2000 POUND TENSILE STRENGTH.

UPHOLSTERY: DOUBLE-STITCHED HEAVY GAUGE VINYL COVERING CONTOURED, EXTREMELY-DENSE FOAM.

WEIGHT PLATES: 1-1/4" THICK PRECISION MILLED WITH EZ GLIDE NYLON BUSHINGS.

ACCESSORIES: INCLUDES LAT BAR, CURL BAR, 2 SINGLE HANDLES, AND 2 EXERCISE CHARTS.

IN-HOME WARRANTY: LIFETIME ON EVERYTHING. WE WILL REPLACE OR REPAIR ANY DEFECT.

COMMERCIAL WARRANTY: 10 YEARS FRAME AND WELDS, 2 YEARS REMAINING PARTS.

100 Plus exercises!

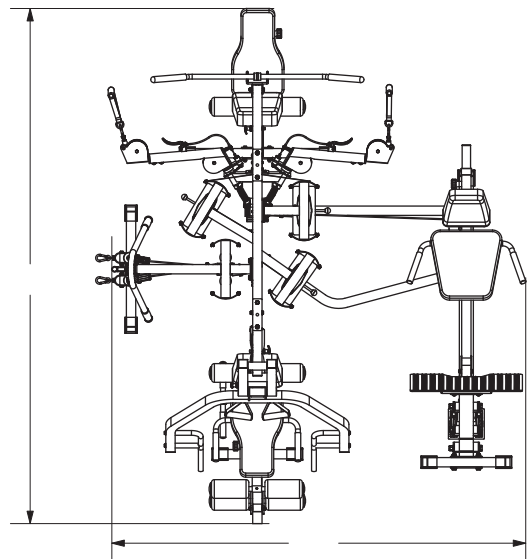
Extreme Versatility!

The X4 combines every feature found in traditional machines with the unrestricted exercises provided by fully adjustable cable training stations. Literally hundreds of available exercises!



Up to 4 Simultaneous Users

X4



Dimension: 87.5" W x 110.5" L x 83.5" H

BODYCRAFT