

CONCEPT2 BIKEERG

The Concept2 BikeErg® is designed for health clubs and fitness centers as well as for individual use. The balance of momentum and resistance in the flywheel create a realistic, bike ride feel to the workout. The rugged institutional grade construction assures minimal maintenance. The electronic performance monitor is unique—once calibrated, it compensates for local conditions and damper setting, allowing accuracy for objective comparison between workouts as well as allowing measured competition between individuals.

The saddle height and fore/aft position are easily adjusted. The handlebars move up, down, forward and back and features three different handlebar riding options.

FEATURES

- Fully-enclosed steel flywheel
- Customizable air resistance with 10 adjustments
- Adjustable handlebars
- Integrated device holder for mobile devices
- Wireless connectivity for heart rate monitoring, data management, and app compatibility
- Commercial grade for durability and low maintenance
- Black powder coat frame and gray anodized posts



LENGTH	WIDTH	SEAT HEIGHT	STEP OVER HEIGHT	WEIGHT	SPACE RECOMMENDED FOR USE	STORED DIMENSIONS	WEIGHT CAPACITY
48 in 122 cm	24 in 61 cm	31-40.5 in 79-103 cm	15 in 38 cm	61 lb 31 kg	60 in x 48 in 152 cm x 122 cm	Must be stored fully assembled	350 lb 159 kg

PERFORMANCE MONITORING AND PM5 MONITOR

Self-Calibrating Accuracy	Allows objective workout comparisons and supports virtual and in-person competition.
Backlit Liquid Crystal Display	Shows essential metrics such as time/distance rowed, calories burned, power produced (watts), stroke rate, cadence (watts, calories, meters), average pace (time per 500 meters), and projected finish (time or distance).
Data Display Options	Offers preset workouts, split memory recall, and versatile display options like All Data, Force Curve, Pacer, Bar Chart, and Large Print.
Games	Provides an interactive element to workouts.
Wireless Heart Rate Monitoring	Compatible with ANT™+ and Bluetooth® Smart telemetry for heart rate monitoring.
Data Management	Wireless telemetry to the free Concept2 ErgData app.
Power Generation	Extends the life of the batteries by providing operating power to the PM while rowing. Monitor is powered by two 1.5 volt alkaline D Cell (LR20) batteries (included). No external power source is needed.
Racing	Supports machine to machine racing.
Apps	Compatible with the free Concept2 ErgData app and multiple third-party options.

CONSTRUCTION & DESIGN

Frame	Welded aluminum construction. Extruded and plate aluminum components. Steel construction feet.
Flywheel	Fully enclosed flywheel is steel with glass reinforced ABS centrifugal fan attached. The flywheel enclosure is made of hi-impact, ABS thermo-plastic.
Drive Belts	The polygroove belt system is quiet and reliable. A unique self-tensioning system on each of the drive belts reduces slippage and extends belt life.
Adjustable Air Resistance	Customizable damper settings allow for quick adjustment of airflow to the flywheel. Adjusting airflow changes the resistance felt at a given cadence. Increasing cadence increases resistance, putting the user in control.
Handlebars	Unique design multi-position handlebars with permanent over molded grip.
Height Adjustment	Unique indexed ratcheting seat and handlebar height adjustment system. Twenty-five height settings.
Integrated Device Holder	Accommodates devices of different sizes.
Caster Wheels	Large diameter wheels allow for easy transport on rough, uneven surfaces.
Pedals	Dual sided, commercial grade.

ADDITIONAL INFORMATION

Operational Dimensions	An area of 60 in (152 cm) by 48 in (122 cm) is recommended for operation of the machine.
Stored Dimensions	48 in (122 cm) long by 24 in (61 cm) maximum width.
Assembly	Initial assembly takes approximately 30 minutes; spare parts available.
Technical Assistance	Available during regular business hours (M-F 9:30 a.m. - 4:00 p.m. ET) through the toll-free customer service line: 800.245.5676.
Warranty	Covers defective parts for 2-5 years from the shipment date. Copy available on request.

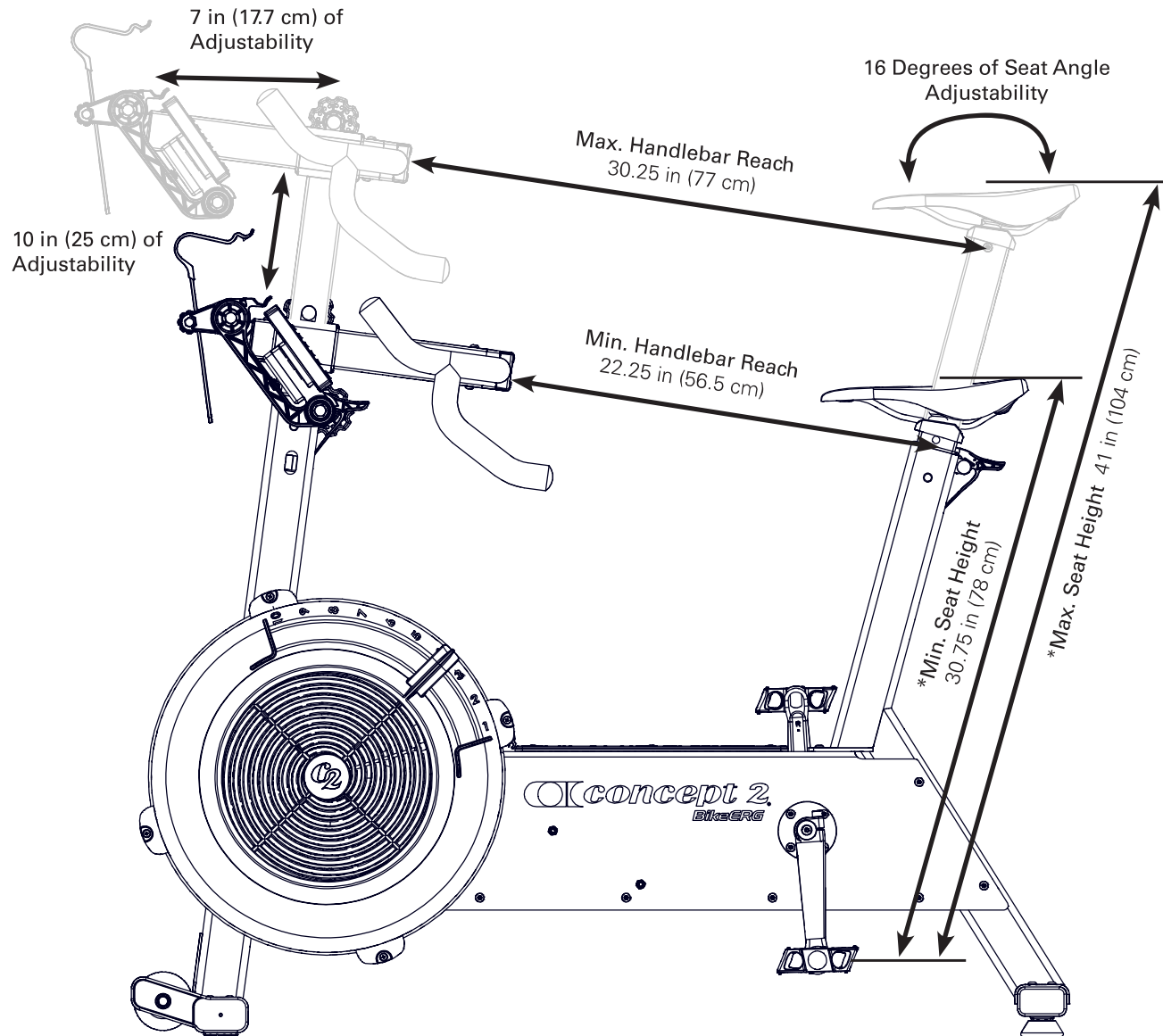
Concept2 is the sole manufacturer and factory direct sales source for the Concept2 BikeErg. All prices are factory direct. Prices are subject to change without notice.

For detailed technical information, visit concept2.com.

BikeERG

Minimum and Maximum BikeErg Sizing

Dimensions shown in the illustration are for BikeErg with Standard Height Seat PN 2900



*Suitable for inside leg measurements between:
28 in–37 in (71.1 cm–94 cm)

Other dimensions:

- Crank length: 170 mm
- Q Factor: 155 mm (This is the distance between the pedal attachment points on the crank arms, when measured parallel to the bottom bracket axle.)
- Saddle fore/aft: Approximately 1.5 in (38.1 mm)
- Handlebar clamp size: 1.0 in (25.4 mm)
- Pedal thread: 9/16 in x 20 tpi